

INSTRUCTION MANUAL DIATOP BUMP 4, TRIMMER HEAD

THANK YOU FOR CHOOSING THE DIATOP BUMP 4, BUMP & FEED NYLON LINE TRIMMER HEAD. FOR CORRECT AND EFFICIENT OPERATION, READ AND FOLLOW ALL INSTRUCTIONS IN THIS MANUAL CAREFULLY PRIOR TO USE. STORE THIS MANUAL WITH YOUR NYLON TRIMMER HEAD FOR FUTURE REFERENCE.

WARNING!

THERE IS A DANGER TO YOU AND YOUR SURROUNDINGS AS CHIPS OF HARD OBJECTS LIKE STONE OR WOOD ARE DISPERSED FROM THE CUTTING PLANE, CHIPS OR PARTS OF THE NYLON HEAD CAN ALSO BE DISPERSED IF IT IS STRUCK AGAINST HARD OBJECTS.

CAUTION

- Read and follow all instructions in this manual carefully when operating.
- The DIATOP BUMP 4 is a nylon line cutting head for a grass cutting trimmer / brushcutter. Do not use it for anything else.
- If this cutting head is lent to someone, this manual must be attached.
- Follow the instruction manual of your trimmer / brushcutter when operating.
- Ensure that the cover is correctly secured to the housing before each use to avoid the unit falling apart and causing parts to be dispersed. Refer to "WINDING CUTTER LINE" section.
- Wear protective clothing and protective equipment (goggles, helmet, gloves and boots). Always operate with the wheel guard fitted. (Figure 2)
- Check the head for damage and wear before each use, replace any damaged or unserviceable parts. (Figure 3)
 - a.) Before the usable limit mark on the cover is reached.
 - b.) When the usable limit mark is reached on the bump button or it the bump button is worn through.
 - c.) If there is any damage to the cutting head (Cracks, Chips worn through).
- Make sure the head is installed correctly to your equipment, rotating it by hand before each use. If it is loose re-tighten. Do not use any aftermarket bolts/nuts with original equipment.
- Make sure there is no build up of debris on the cutter head, this will cause vibration and may allow the head to work loose. Check and clean cutting head before use.
- Ensure there is nobody within at least 15 meters of the cutting area. Pay attention to your surroundings as objects may be dispersed from the cutting head.
- Do not rotate the cutting head greater than 10,000 RPM to avoid premature wear and dispersion of damaged parts.
- Do not strike the head on hard objects like rocks, concrete and other hard surfaces to avoid damage and dispersion of parts
- Do not bump the head if it is rotating faster than 4,500 RPM or when it is stopped.
- Stop the engine if you find any problems with the unit. Repair or replace any failed components immediately. Using the head with damaged components is dangerous.
- Stop the engine and cutter head before any maintenance is performed: Cleaning, removing tangled grass or winding on cutting line, etc.

PARTS CONSTRUCTION

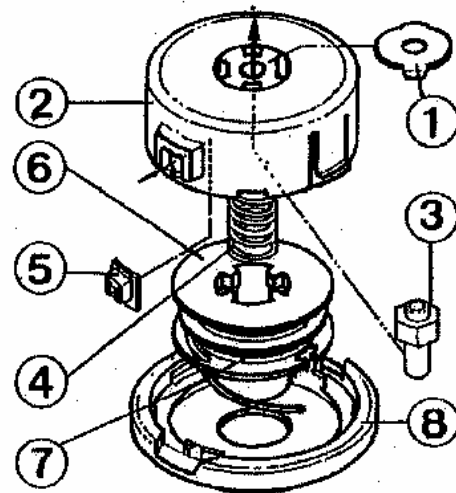


Fig.1

| NO. | PART # | DESCRIPTION | Q'ty |
|-----|--------|-----------------------------|------|
| ① | 0067 | TOP PLATE | 1 |
| ② | 0095 | HOUSING | 1 |
| ③ | 0018 | NUT, M8xP1.25 RH | 1 |
| ④ | 0069 | SPRING | 1 |
| ⑤ | 0005 | EYELET | 2 |
| ⑥ | 0088 | SPOOL | 1 |
| ⑦ | 0008 | NYLON LINE, 2.4mm dia. x 3m | 1 |
| ⑧ | 0585 | COVER | 1 |

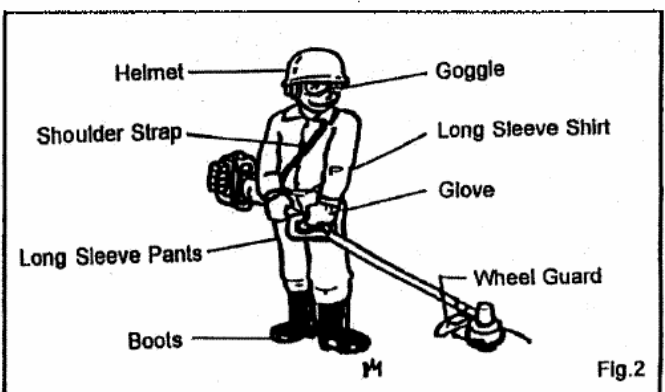
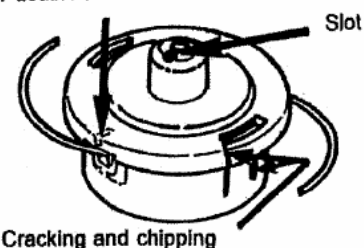


Fig.2

Mark for usable limit



Cracking and chipping

Fig.3

-SPECIFICATIONS SUBJECT TO CHANGE WITHOUT NOTICE-

DIATOP CORPORATION

MUKAIKODARA SHIROTORI CHO GUJO GUN
GIFU PREFECTURE JAPAN

TEL <0575>82-3081

INSTALLATION

- ONLY USE FASTENERS THAT WERE SUPPLIED WITH THE CUTTER HEAD OR THE TRIMMER FOR INSTALLATION. USING INCORRECT FASTENERS MAY CAUSE THE HEAD TO COME LOOSE.
- MAKE SURE THERE IS NO BUILD UP OF DIRT OR ANY OTHER MATERIAL ON THE CUTTER HEAD. ROTATE HEAD BY HAND AFTER INSTALLATION TO CHECK OPERATION.

Make sure that the thread on the drive shaft on your brushcutter / trimmer is matched to the thread on the DIATOP BUMP 4. Then lock the drive shaft and screw the head onto the trimmer firmly.

OPERATION

CAUTION

- DO NOT ROTATE THE HEAD GREATER THAN 10,000 RPM.
- DO NOT BUMP THE HEAD IF IT IS ROTATING GREATER THAN 4,500RPM OR WHEN IT IS STOPPED TO AVOID DAMAGE.
- DO NOT HIT THE HEAD AGAINST HARD OBJECTS LIKE CONCRETE, ROCKS, ETC.
- ENSURE THERE IS NO BODY WITHIN AT LEAST 15 METERS OF THE CUTTING AREA. PAY ATTENTION TO YOUR SURROUNDINGS AS OBJECTS MAY BE DISPERSED FROM THE CUTTING HEAD.

We suggest operating the head at 8,000 RPM. Slow rotation less than 4,500 RPM is not good for the cutting job as the nylon line will not have enough tension. To extend the line, bump the button on the head to the ground at a speed less than 4,500 RPM. If the cutting line does not extend, stop the engine and re-wind the cutter line. Refer section "WINDING CUTTER LINE"

WINDING CUTTER LINE

CAUTION

- STOP THE HEAD AND TURN OFF THE ENGINE BEFORE YOU DO ANY MAINTENANCE ON THE HEAD.
- MAKE SURE THE COVER IS FITTED CORRECTLY TO THE HOUSING, IF THE COVER IS NOT FITTED CORRECTLY IT MAY FALL APART DISPERSING PARTS.

1. Remove the cover from the housing by pressing the two latches located opposite each other on the housing. (fig.4)
2. Remove the spool from the housing.
3. Fold approx. 5 meters (16 ft) of 2mm cutting line in half, leaving one half 8 cm (3 in) longer than the other.
4. Hook the folded point of the cutter line onto the slit in the centre of the spool.
5. Wind the cord following the arrows on the back of the spool (fig.6), LH for straight shaft brushcutter or RH for bent shaft trimmer.
6. Wind the cord firmly, one half in each gutter, winding both halves in the same direction. (fig.6)
7. Hook the cutting line into the holding notches on the front of the spool. Do not let the line loosen. (fig.7)
8. Check that the spring is still located in the housing and then fit the filled spool into the housing.
9. Pull the cord down into the open eyelets. (fig.8)
10. Fit the cover onto the housing by aligning the latch on the housing to the window on the cover. Make sure the latches have hooked onto the cover by inspecting through the window. (fig. 9 & 10)

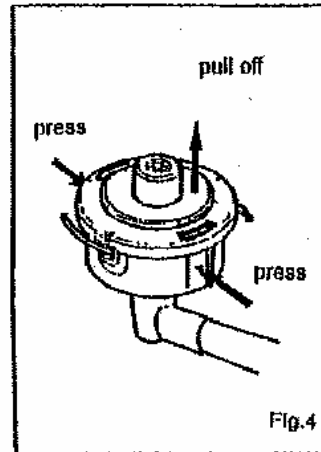


Fig.4

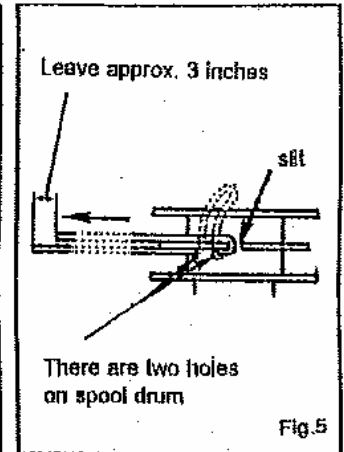


Fig.5

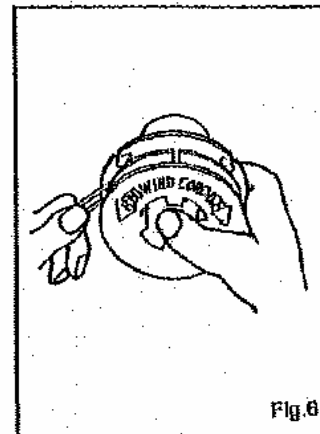


Fig.6

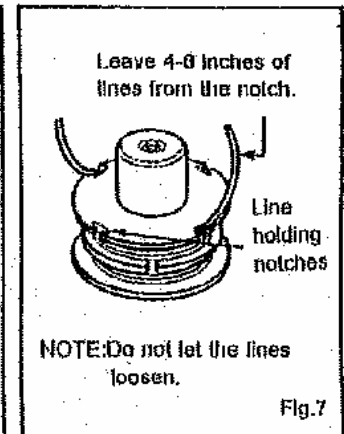


Fig.7

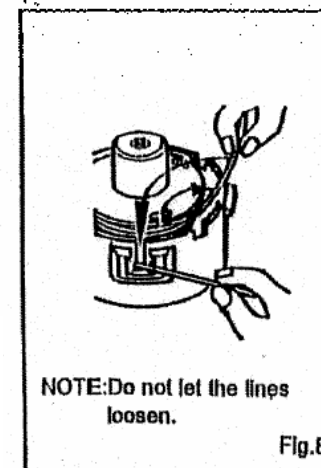


Fig.8

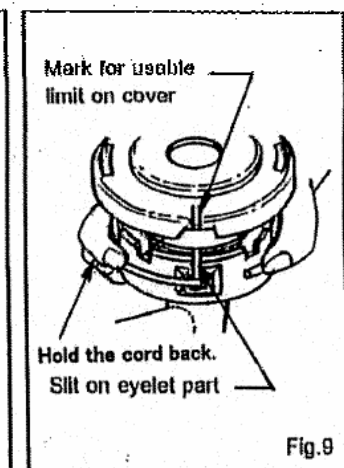


Fig.9

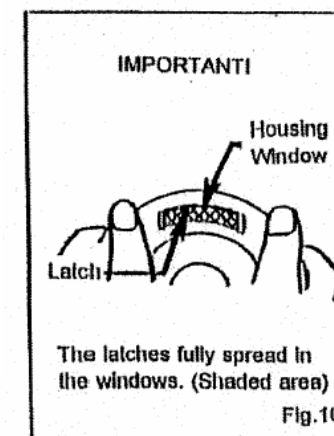


Fig.10